

Part Number
512-200 Series

Description
VXB-1VAD EN54-3 &-23 CEILING C-3-8 BEACON
Approved VXB-1EVAD 24V Beacon
Units are available with Deep or Shallow base,
Lens colour - red
Flash colour - white

Instruction Insert

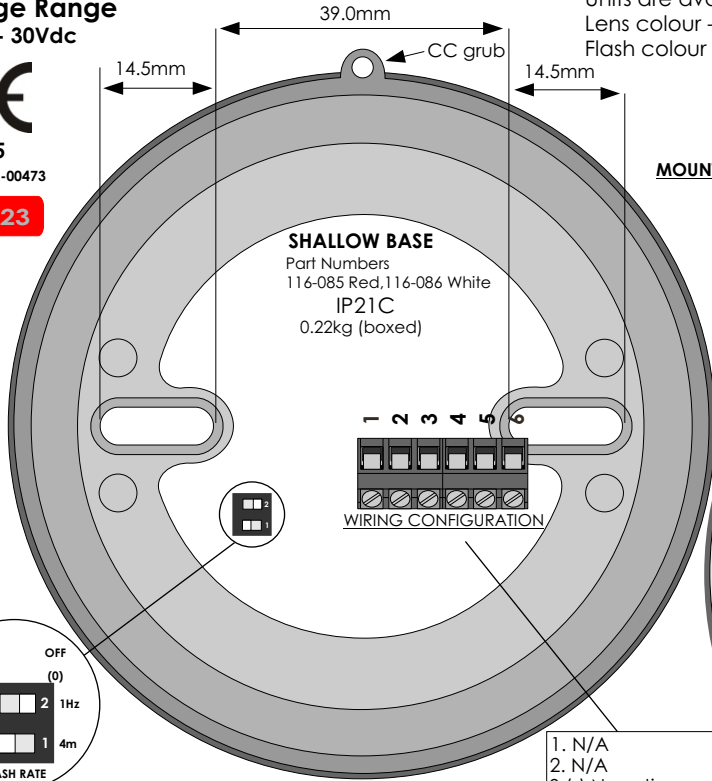
TECHNICAL INFORMATION
Voltage Range [Vdc]: 18 - 30
Temperature Range (°C): -20 to +70
Flash Rate: c.1Hz (approved)
(option for 0.5Hz does not comply with EN54-23)
Beacon coverage: C-3-8 (approved)
(option for C-3-4 does not comply with EN54-23)
Monitoring: Reverse Polarity
Protection Rating: IP21C Deep Base
Protection Rating: IP21C Shallow Base
Boxed Weight (kg): 0.25
Base Diameter (mm): Ø93.0
Material: ABS fire retardant plastic
For installation requirements, use Fire rated cable,
2-core plus screen

Voltage Range
18 - 30Vdc

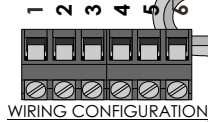


0359-CPR-00473

EN54-23



SHALLOW BASE
Part Numbers
116-085 Red, 116-086 White
IP21C
0.22kg (boxed)



1. N/A
2. N/A
3. (-) Negative
4. (-) Negative
5. (+) Positive
6. (+) Positive

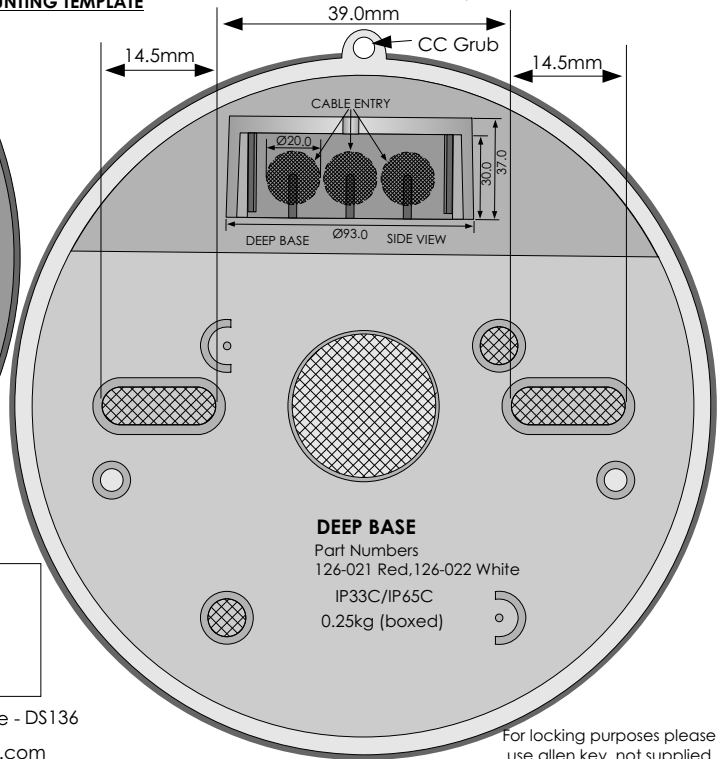
For any technical queries contact
Tel: +44 (0) 1420 592 444
E-mail: technical@cranfordcontrols.com

Made in UK

Full datasheet available - DS136
www.cranfordcontrols.com

Doc Ref: 125-112 Issue: 002 Date 05.2015

MOUNTING TEMPLATE



DEEP BASE
Part Numbers
126-021 Red, 126-022 White
IP33C/IP65C
0.25kg (boxed)

For locking purposes please
use allen key, not supplied

Part Number
512-200 Series

Description
VXB-1VAD EN54-3 &-23 CEILING C-3-8 BEACON
Approved VXB-1EVAD 24V Beacon
Units are available with Deep or Shallow base,
Lens colour - red
Flash colour - white

Instruction Insert

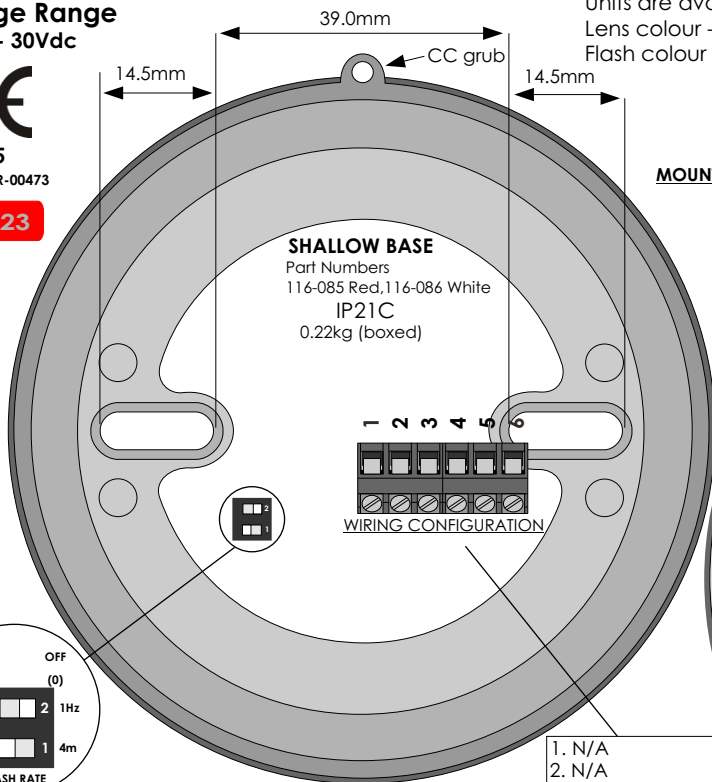
TECHNICAL INFORMATION
Voltage Range [Vdc]: 18 - 30
Temperature Range (°C): -20 to +70
Flash Rate: c.1Hz (approved)
(option for 0.5Hz does not comply with EN54-23)
Beacon coverage: C-3-8 (approved)
(option for C-3-4 does not comply with EN54-23)
Monitoring: Reverse Polarity
Protection Rating: IP33C Deep Base
Protection Rating: IP21C Shallow Base
Boxed Weight (kg): 0.25
Base Diameter (mm): Ø93.0
Material: ABS fire retardant plastic
For installation requirements, use Fire rated cable,
2-core plus screen

Voltage Range
18 - 30Vdc

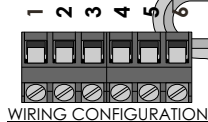


0359-CPR-00473

EN54-23



SHALLOW BASE
Part Numbers
116-085 Red, 116-086 White
IP21C
0.22kg (boxed)



1. N/A
2. N/A
3. (-) Negative
4. (-) Negative
5. (+) Positive
6. (+) Positive

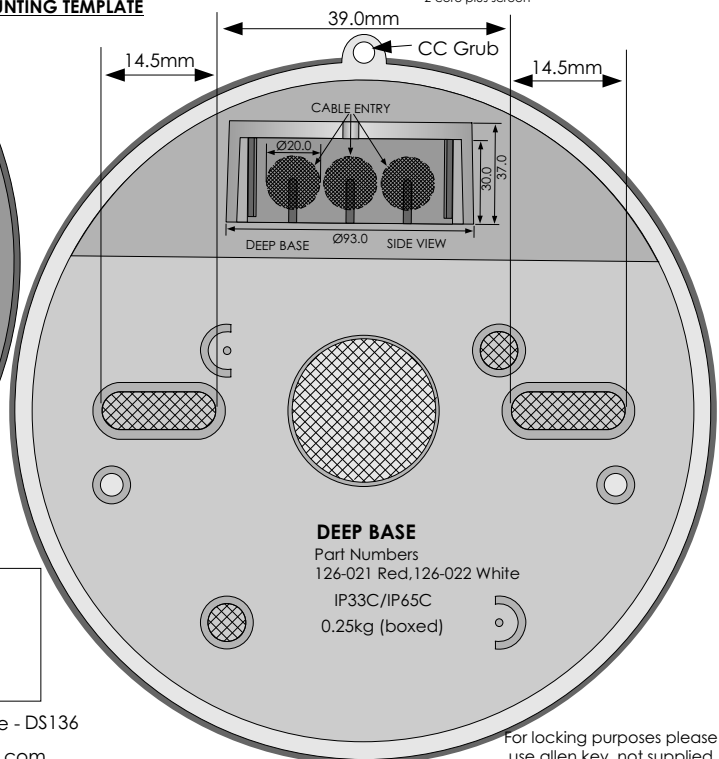
For any technical queries contact
Tel: +44 (0) 1420 592 444
E-mail: technical@cranfordcontrols.com

Made in UK

Full datasheet available - DS136
www.cranfordcontrols.com

Doc Ref: 125-112 Issue: 002 Date 05.2015

MOUNTING TEMPLATE



DEEP BASE
Part Numbers
126-021 Red, 126-022 White
IP33C/IP65C
0.25kg (boxed)

For locking purposes please
use allen key, not supplied